

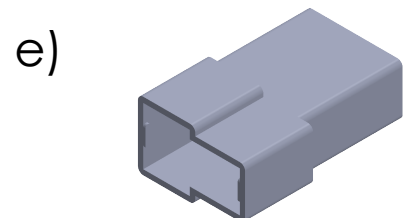
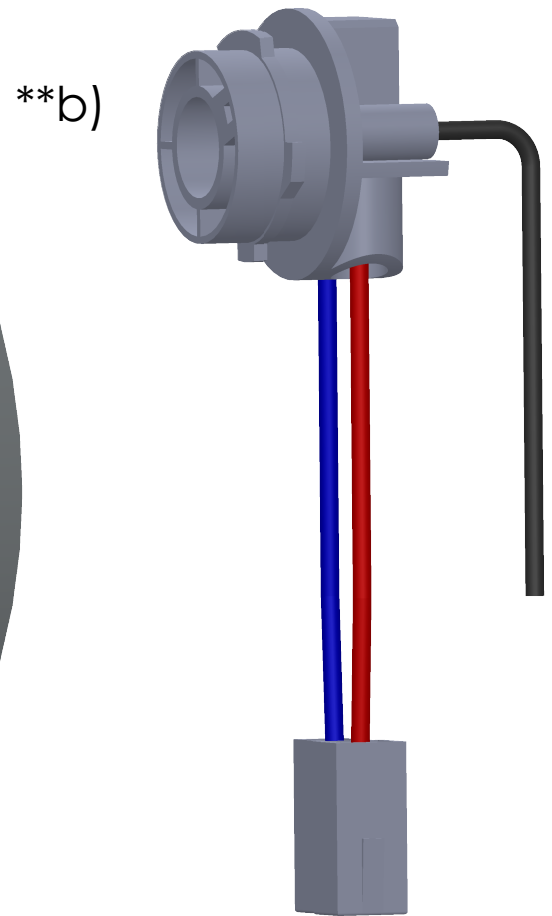
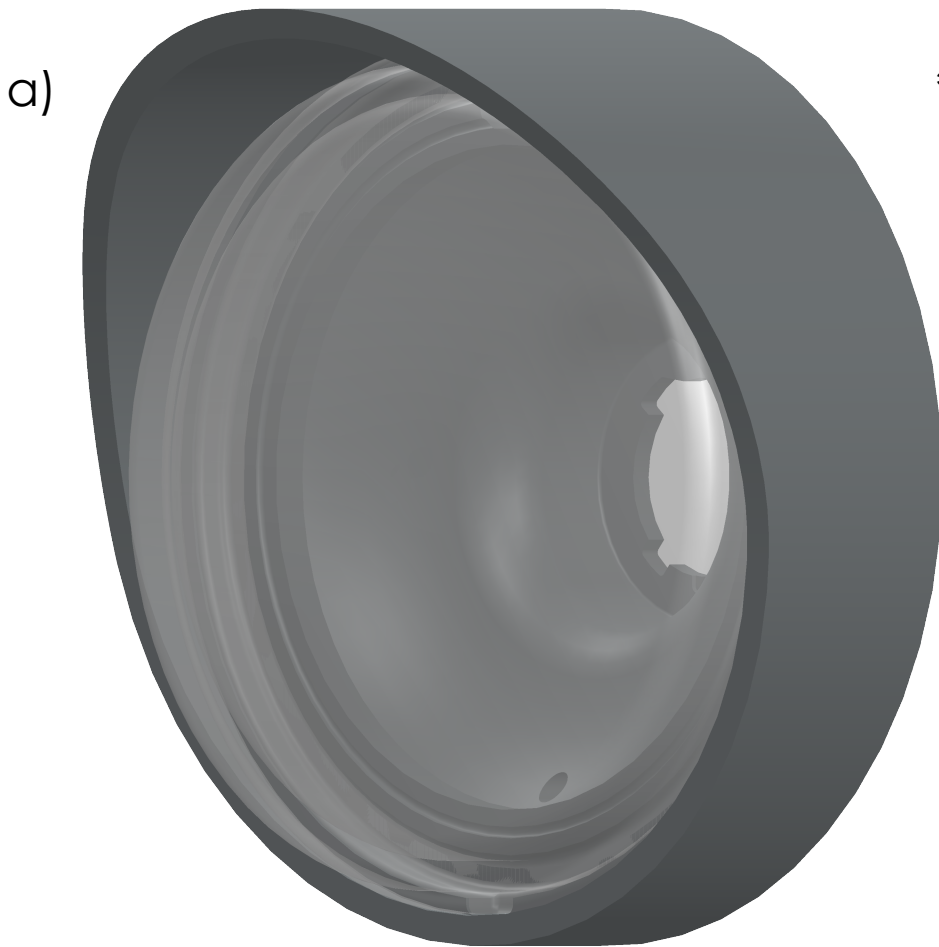
Billet Front Parking Lamps

1969 Chevrolet Camaro



*What's Included:

- a) (2) Billet Camaro Front Marker Lamp
- **b) (2) Plug & play connector
- c) (4) M6 bolt with flat washer
- d) (4) Washers
- e) (2) Female connector (optional install)

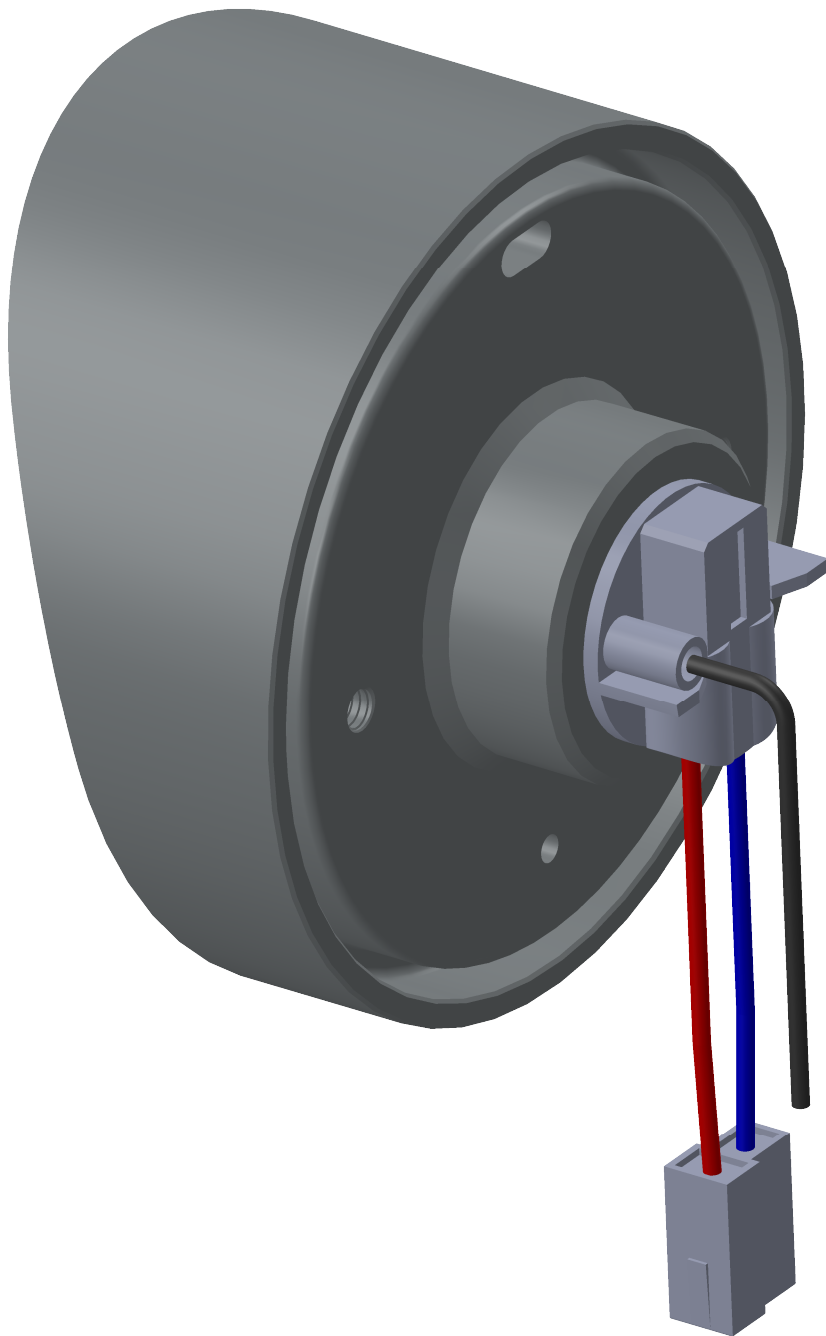


*Halo and bulb not shown as they are dependent on selected configuration.

Illustration for graphical purposes only, it **DOES NOT depict actual length of wires.

Front Marker Lamps

1969 Chevrolet Camaro



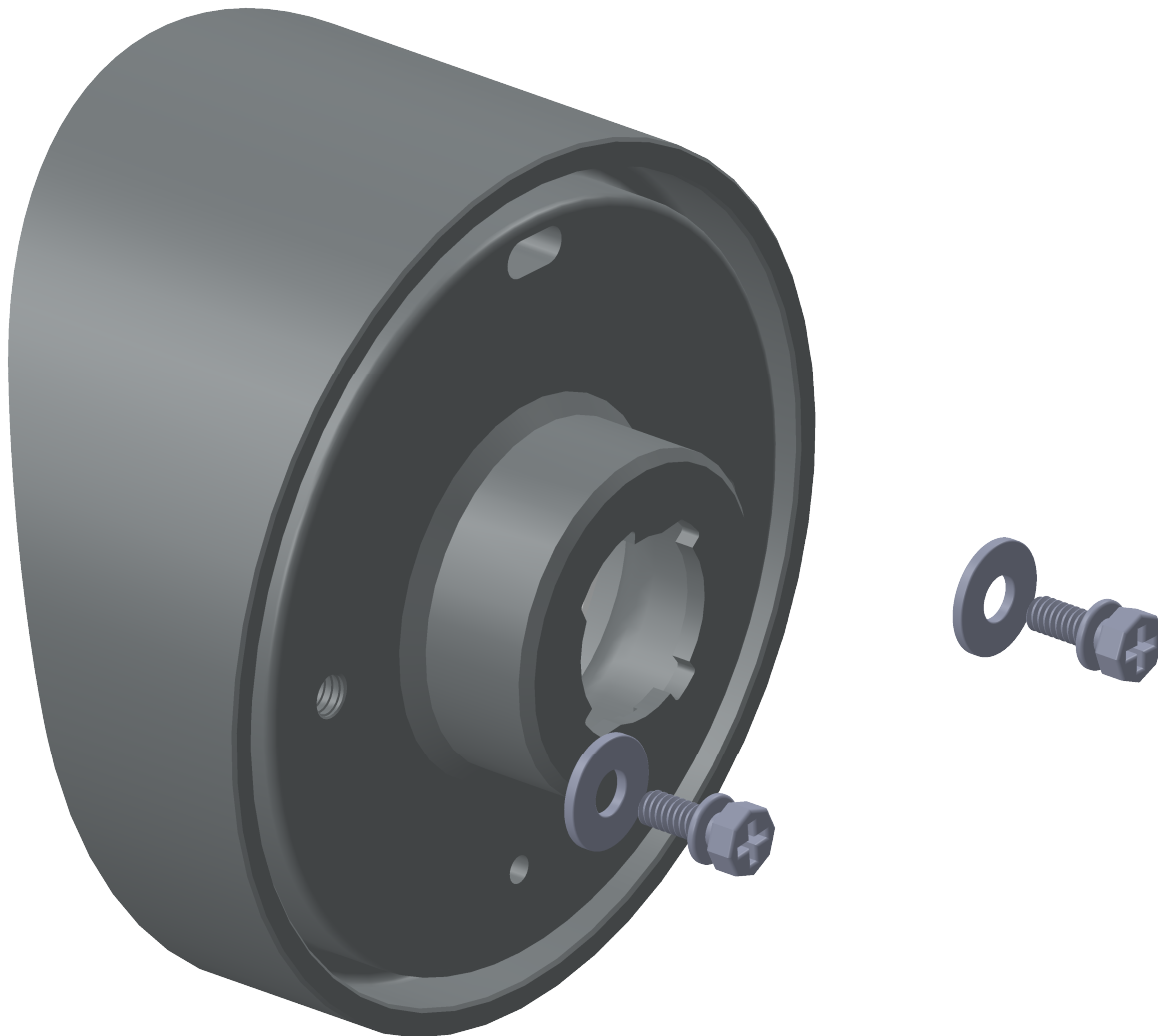
*Wires shown:

- Black to ground
- Blue & red to included plug & play connector

*Illustration for graphical purposes only, it **DOES NOT** depict actual length of wires.

Front Marker Lamps

1969 Chevrolet Camaro



Installation:

- 1) Use the included bolts and washers to attach the light to the bumper.
- 2) Plug in the attached wiring harness.
 - a) The black ground wire end can be placed between the washer and the bolt.
 - b) Plug in the male connector from the new light to the existing female connector from the car.

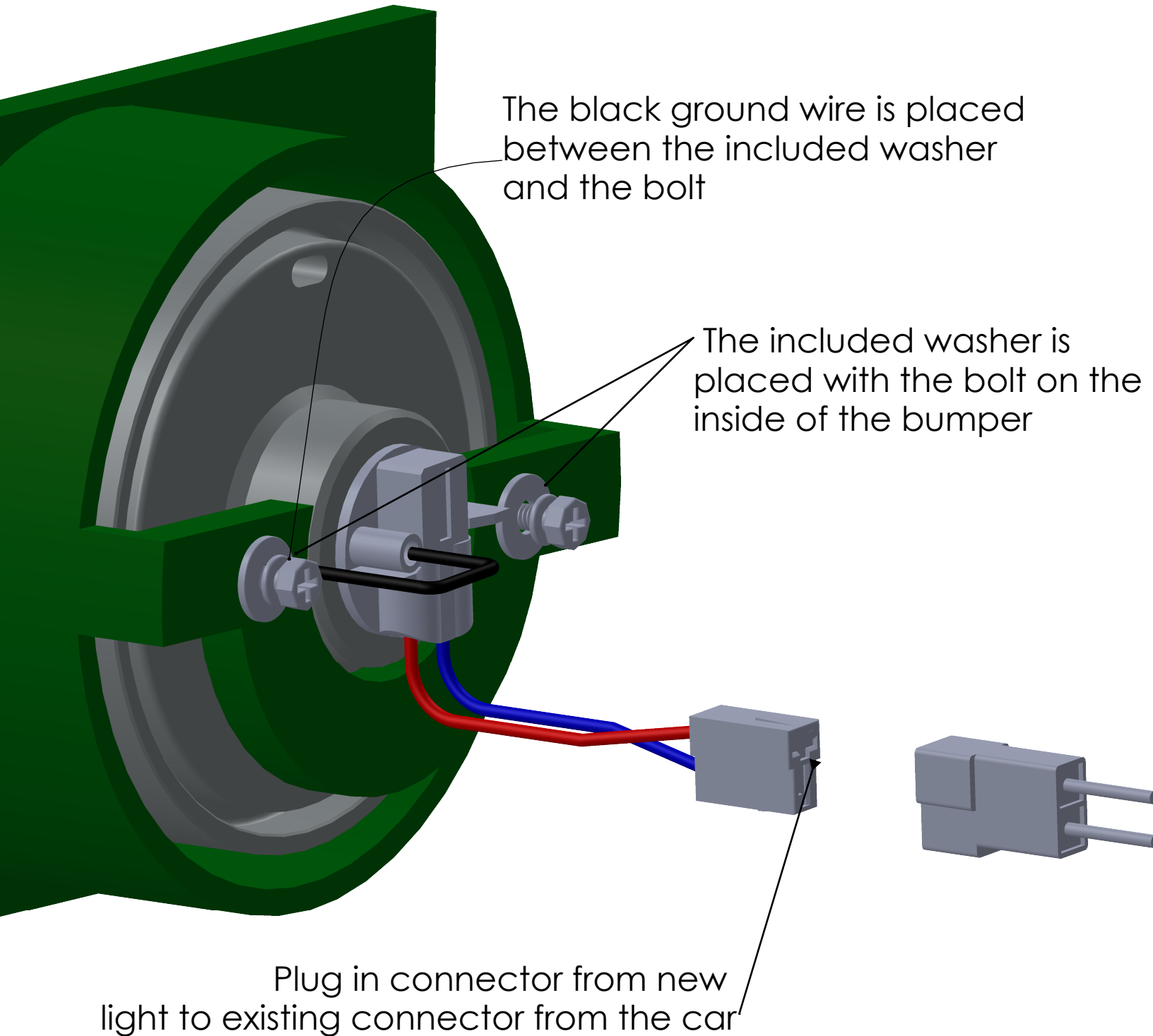
Example diagram shown on next page.

Front Marker Lamps

1969 Chevrolet Camaro



Example Diagram:



Front Marker Lamps

1969 Chevrolet Camaro



Optional Install:

The additional female connector included can be used to replace your OEM light connector for a better fit.

- 1) Take note of the wiring connection coming from the car. Repinning the connector with the incorrect position may cause the light to not function properly.
- 2) Depin your existing connector coming from the car
- 3) Insert the pins coming from the car into the new connector, making sure the wires remain in the same locations.